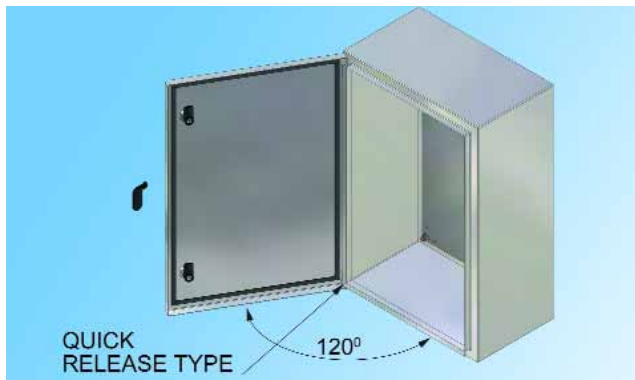


ORDER INFORMATION



**STAINLESS STEEL
BOX IP66**

**EDELSTAHL
BOX IP66**

**RUSTFRI
BOX IP66**

Door sizes above 800x1000 supplied with Stiffners

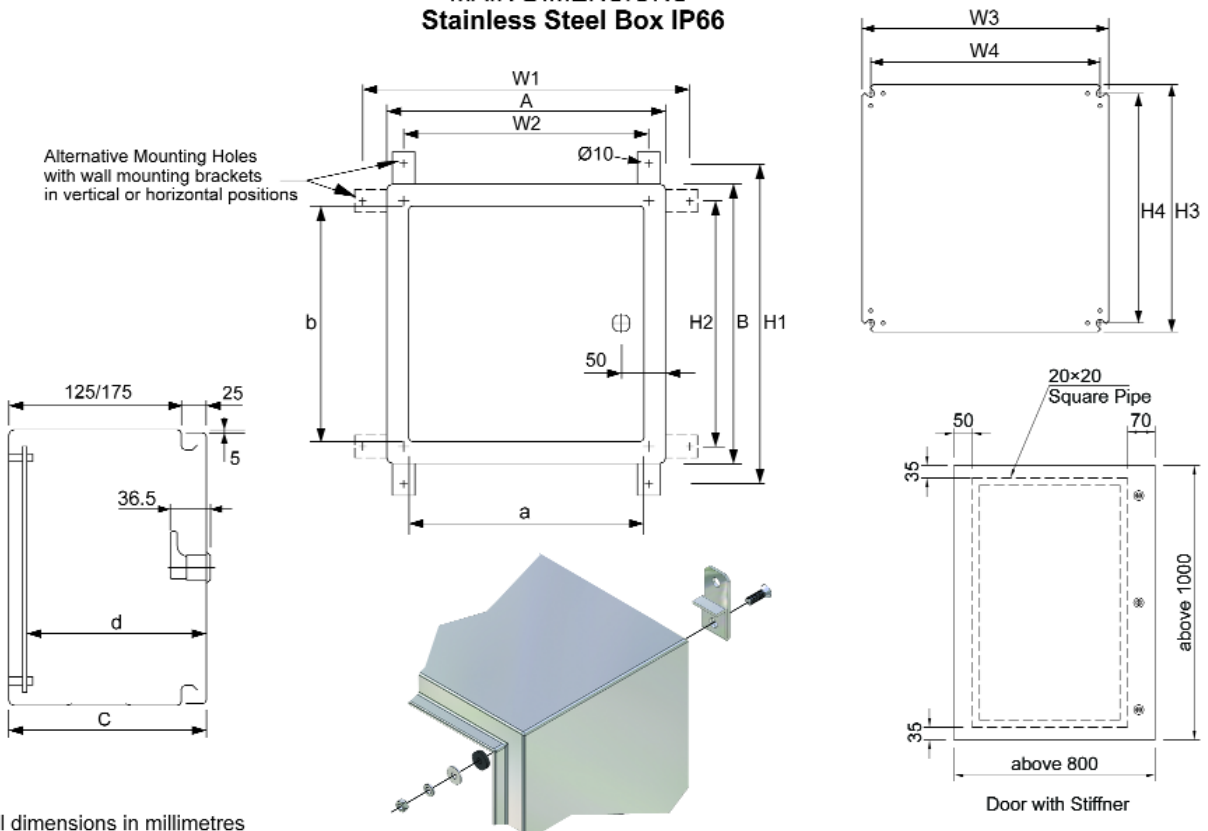
TYPE	SIZE (WxHxD)	LOCKS	WEIGHT kg	QTY	ORDER No. AISI 304	ORDER No. AISI 316
SBOX 2.2-150	200 x 200 x 150	1	4.56	1	60600	61100
SBOX 2.3-150	200 x 300 x 150	1	5.78	1	60610	61110
SBOX 2.5.3-150	250 x 300 x 150	1	6.60	1	60620	61120
SBOX 3.3-150	300 x 300 x 150	1	7.42	1	60630	61130
SBOX 3.3-200	300 x 300 x 200	1	9.16	1	60640	61140
SBOX 3.4-150	300 x 400 x 150	2	9.06	1	60650	61150
SBOX 3.4-200	300 x 400 x 200	2	10.93	1	60660	61160
SBOX 4.3-150	400 x 300 x 150	1	9.06	1	60670	61170
SBOX 4.3-200	400 x 300 x 200	1	10.93	1	60680	61180
SBOX 4.4-150	400 x 400 x 150	2	11.13	1	60690	61190
SBOX 4.4-200	400 x 400 x 200	2	13.13	1	60700	61200
SBOX 4.5-150	400 x 500 x 150	2	13.20	1	60710	61210
SBOX 4.5-200	400 x 500 x 200	2	15.33	1	60720	61220
SBOX 4.5-250	400 x 500 x 250	2	14.12	1	60725	61225
SBOX 4.6-200	400 x 600 x 200	2	17.52	1	60730	61230
SBOX 4.6-250	400 x 600 x 250	2	16.45	1	60735	61235
SBOX 4.7-200	400 x 700 x 200	2	19.72	1	60740	61240
SBOX 5.6-200	500 x 600 x 200	2	20.58	1	60750	61250
SBOX 5.7-200	500 x 700 x 200	2	23.20	1	60760	61260
SBOX 5.7-250	500 x 700 x 250	2	22.38	1	60765	61265
SBOX 6.4-200	600 x 400 x 200	2	17.52	1	60770	61270
SBOX 6.4-300	600 x 400 x 300	2	17.73	1	60780	61280
SBOX 6.5-200	600 x 500 x 200	2	20.58	1	60785	61285
SBOX 6.6-200	600 x 600 x 200	2	23.63	1	60790	61290
SBOX 6.6-300	600 x 600 x 300	2	24.35	1	60800	61300
SBOX 6.7-200	600 x 700 x 200	2	26.68	1	60810	61310
SBOX 6.8-200	600 x 800 x 200	3	29.74	1	60820	61320
SBOX 6.8-250	600 x 800 x 250	3	29.17	1	60830	61330
SBOX 6.8-300	600 x 800 x 300	3	30.97	1	60840	61340
SBOX 6.10-200	600 x 1000 x 200	3	35.84	1	60850	61350
SBOX 6.12-200	600 x 1200 x 200	3	41.0	1	60855	61355
SBOX 8.8-200	800 x 800 x 200	3	37.55	1	60860	61360
SBOX 8.8-300	800 x 800 x 300	3	39.30	1	60870	61370
SBOX 8.10-200	800 x 1000 x 200	3	45.37	1	60880	61380
SBOX 8.10-250	800 x 1000 x 250	3	45.32	1	60890	61390
SBOX 8.10-300	800 x 1000 x 300	3	47.63	1	60900	61400
SBOX 8.12-200	800 x 1200 x 200	3	50.83	1	60905	61405
SBOX 8.12-250	800 x 1200 x 250	3	53.39	1	60906	61406
SBOX 8.12-300	800 x 1200 x 300	3	55.96	1	60910	61410
SBOX 10.10-200	1000 x 1000 x 200	3	52.54	1	60915	61415
SBOX 10.10-300	1000 x 1000 x 300	3	57.67	1	60920	61420
SBOX 10.12-300	1000 x 1200 x 300	3	67.71	1	60930	61430

ALL SIZES MIGHT NOT BE AVAILABLE WITH YOUR DEALER

TYPE	DESCRIPTION	QTY	ORDER No. AISI 304	ORDER No. AISI 316
SWB	STAINLESS STEEL WALL MOUNTING BRACKETS	1 SET	60290	60590

INSTRUCTIONS

MAIN DIMENSIONS Stainless Steel Box IP66



All dimensions in millimetres

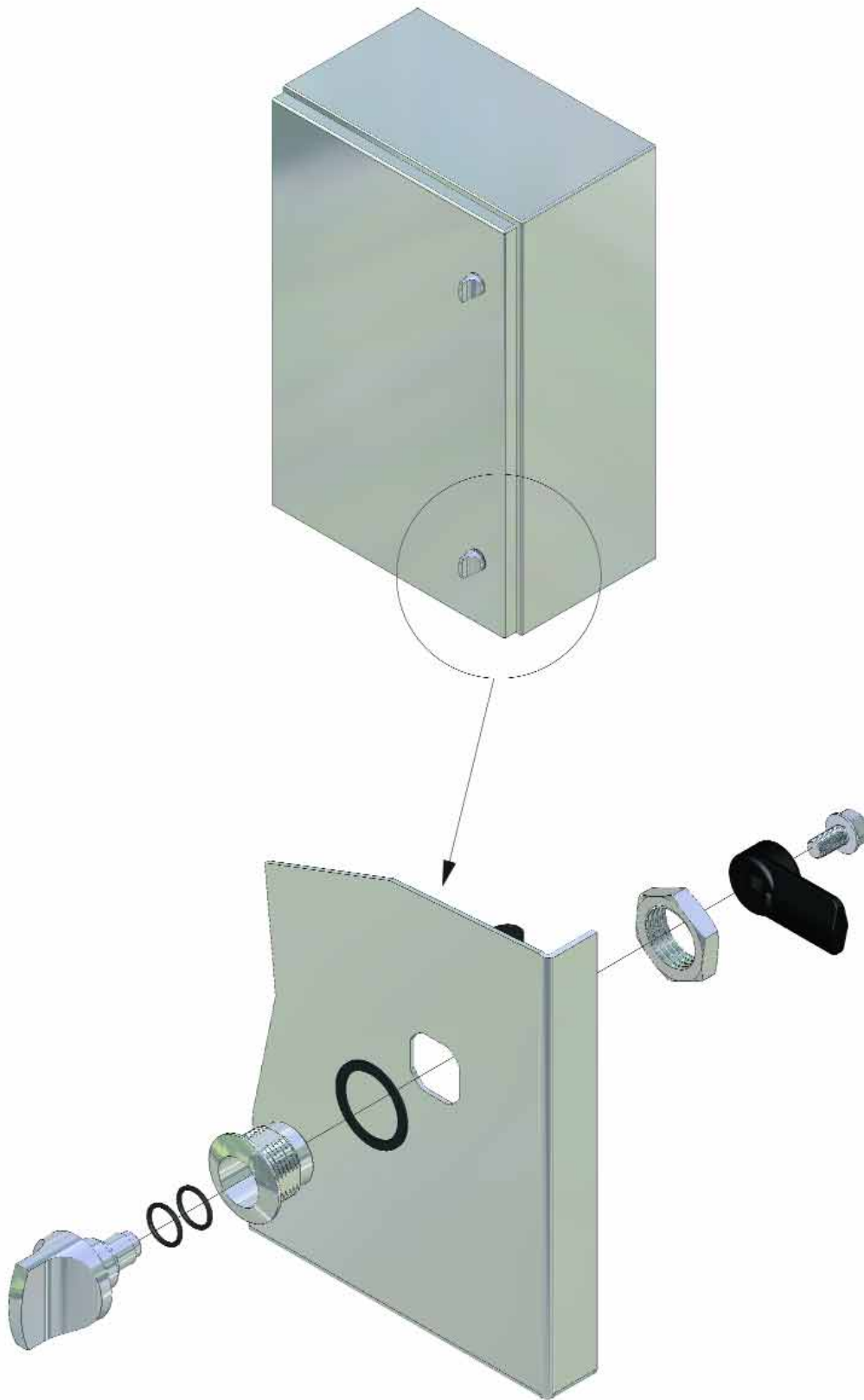
TYPE	OVERALL SIZE			OPENING DEPTH			MOUNTING HOLE POSITIONS				MOUNTING PLATE HOLE SIZE				LOCKS	WEIGHT kg	ORDER No. AISI 304	ORDER No. AISI 316
	A	B	C	a	b	d	W1	W2	H1	H2	W3	H3	W4	H4				
SBOX 2.2-150	200	200	150	150	150	135	240	160	240	160	148	148	125	125	1	4.56	60600	61100
SBOX 2.3-150	200	300	150	150	250	135	240	160	340	260	148	248	125	225	1	5.78	60610	61110
SBOX 2.5.3-150	250	300	150	200	250	135	290	210	340	260	198	248	175	225	1	6.60	60620	61120
SBOX 3.3-150	300	300	150	250	250	135	340	260	340	260	248	248	225	225	1	7.42	60630	61130
SBOX 3.3-200	300	300	200	250	250	185	340	260	340	260	248	248	225	225	1	9.16	60640	61140
SBOX 3.4-150	300	400	150	250	350	135	340	260	440	360	248	348	225	325	2	9.06	60650	61150
SBOX 3.4-200	300	400	200	250	350	185	340	260	440	360	248	348	225	325	2	10.93	60660	61160
SBOX 4.3-150	400	300	150	350	250	135	440	360	340	260	348	248	325	225	1	9.06	60670	61170
SBOX 4.3-200	400	300	200	350	250	185	440	360	340	260	348	248	325	225	1	10.93	60680	61180
SBOX 4.4-150	400	400	150	350	350	135	440	360	440	360	348	348	325	325	2	11.13	60690	61190
SBOX 4.4-200	400	400	200	350	350	185	440	360	440	360	348	348	325	325	2	13.13	60700	61200
SBOX 4.5-150	400	500	150	350	450	135	440	360	540	460	348	448	325	425	2	13.20	60710	61210
SBOX 4.5-200	400	500	200	350	450	185	440	360	540	460	348	448	325	425	2	15.33	60720	61220
SBOX 4.5-250	400	500	250	350	450	235	440	360	540	460	348	448	325	425	2	14.12	60725	61225
SBOX 4.6-200	400	600	200	350	550	185	440	360	640	560	348	548	325	525	2	17.52	60730	61230
SBOX 4.6-250	400	600	250	350	550	235	440	360	640	560	348	548	325	525	2	16.45	60735	61235
SBOX 4.7-200	400	700	200	350	650	185	440	360	740	660	348	648	325	625	2	19.72	60740	61240
SBOX 5.6-200	500	600	200	450	550	185	540	460	640	560	448	548	425	525	2	20.58	60750	61250
SBOX 5.7-200	500	700	200	450	650	185	540	460	740	660	448	648	425	625	2	23.20	60760	61260
SBOX 5.7-250	500	700	250	450	650	235	540	460	740	660	448	648	425	625	2	22.38	60765	61265
SBOX 6.4-200	600	400	200	550	350	185	640	560	440	360	548	348	525	325	2	17.73	60780	61280
SBOX 6.4-300	600	400	300	550	350	285	640	560	440	360	548	348	525	325	2	17.73	60780	61280
SBOX 6.5-200	600	500	200	550	450	185	640	560	540	460	548	448	525	425	2	20.58	60785	61285
SBOX 6.6-200	600	600	200	550	550	185	640	560	640	560	548	548	525	525	2	23.63	60790	61290
SBOX 6.6-300	600	600	300	550	550	285	640	560	640	560	548	548	525	525	2	24.35	60800	61300
SBOX 6.7-200	600	700	200	550	650	185	640	560	740	660	548	648	525	625	2	26.68	60810	61310
SBOX 6.8-200	600	800	200	550	750	185	640	560	840	760	548	748	525	725	3	29.74	60820	61320
SBOX 6.8-250	600	800	250	550	750	235	640	560	840	760	548	748	525	725	3	29.17	60830	61330
SBOX 6.8-300	600	800	300	550	750	285	640	560	840	760	548	748	525	725	3	30.97	60840	61340
SBOX 6.10-200	600	1000	200	550	950	185	640	560	1040	960	548	948	525	925	3	35.84	60850	61350
SBOX 6.12-200	600	1200	200	550	1150	185	640	560	1040	1160	548	1148	525	1125	3	41.0	60855	61355
SBOX 8.8-200	800	800	200	750	750	185	840	760	840	760	748	748	725	725	3	37.55	60860	61360
SBOX 8.8-300	800	800	300	750	750	285	840	760	840	760	748	748	725	725	3	39.30	60870	61370
SBOX 8.10-200	800	1000	200	750	950	185	840	760	1040	960	748	948	725	925	3	45.37	60880	61380
SBOX 8.10-250	800	1000	250	750	950	235	840	760	1040	960	748	948	725	925	3	45.32	60890	61390
SBOX 8.10-300	800	1000	300	750	950	285	840	760	1040	960	748	948	725	925	3	47.63	60900	61400
SBOX 8.12-200	800	1200	200	750	1150	185	840	760	1240	1160	748	1148	725	1125	3	50.83	60905	61405
SBOX 8.12-250	800	1200	250	750	1150	235	840	760	1240	1160	748	1148	725	1125	3	53.39	60906	61406
SBOX 8.12-300	800	1200	300	750	1150	285	840	760	1240	1160	748	1148	725	1125	3	55.96	60910	61410
SBOX 10.10-200	1000	1000	200	950	950	185	1040	960	1040	960	948	948	925	925	3	52.54	60915	61415
SBOX 10.10-300	1000	1000	300	950	950	285	1040	960	1040	960	948	948	925	925	3	57.67	60920	61420
SBOX 10.12-300	1000	1200	300	950	950	285	1040	960	1240	1160	948	1148	925	1125	3	67.71	60930	61430

ORDER INFORMATION

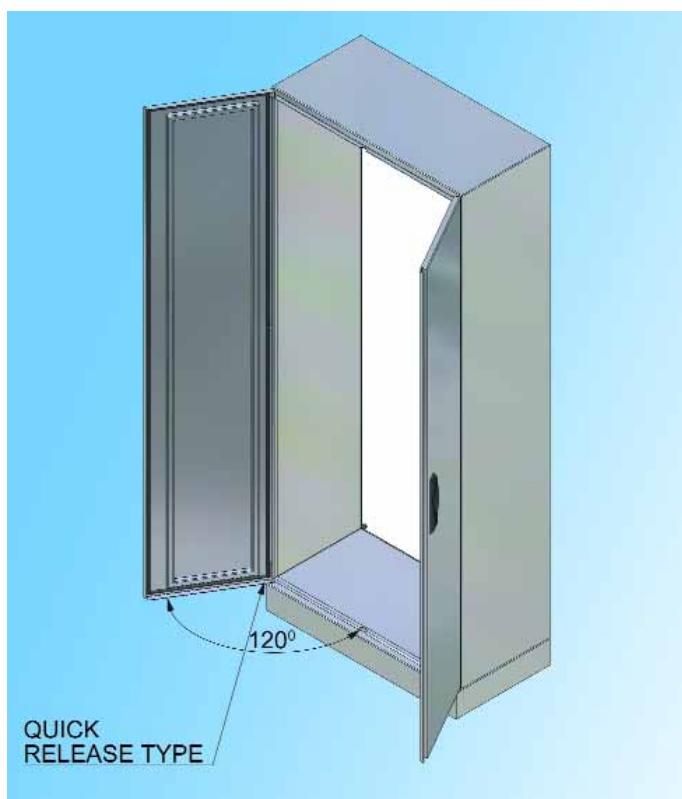
STAINLESS STEEL KNOB LOCK



TYPE	DESCRIPTION	WEIGHT kg	QTY	ORDER No.
SSKL	STAINLESS STEEL KNOB LOCK	0.06	1	60295



ORDER INFORMATION



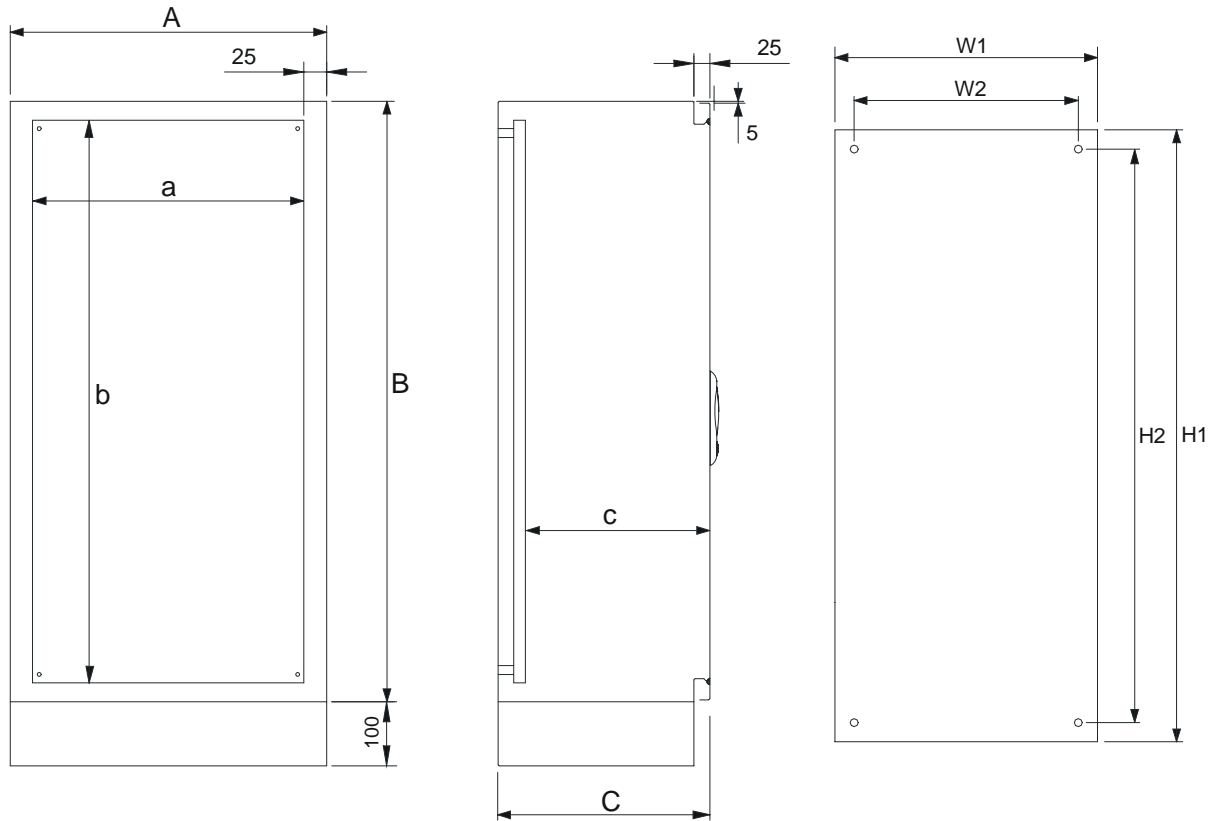
STAINLESS STEEL FLOOR STANDING ENCLOSURE IP65

TYPE	DESCRIPTION	SIZE (W×H×D)	DOORS	WEIGHT kg	QTY	ORDER No.	
						AISI 304	AISI 316
FSE2D 8.18.4	S S FLOOR STANDING ENCL. IP65	800×1800×400	1	122	1	61500	62050
FSE2D 8.20.4	S S FLOOR STANDING ENCL. IP65	800×2000×400	1	134	1	61510	62060
FSE2D 8.18.6	S S FLOOR STANDING ENCL. IP65	800×1800×600	1	134	1	61520	62070
FSE2D 8.20.6	S S FLOOR STANDING ENCL. IP65	800×2000×600	1	146	1	61530	62080
FSE2D 10.18.4	S S FLOOR STANDING ENCL. IP65	1000×1800×400	1	135	1	61550	62100
FSE2D 10.20.4	S S FLOOR STANDING ENCL. IP65	1000×2000×400	1	147	1	61560	62110
FSE2D 10.18.6	S S FLOOR STANDING ENCL. IP65	1000×1800×600	1	147	1	61570	62120
FSE2D 10.20.6	S S FLOOR STANDING ENCL. IP65	1000×2000×600	1	159	1	61580	62130
FSE2D 12.18.4	S S FLOOR STANDING ENCL. IP65	1200×1800×400	2	160	1	61600	62160
FSE2D 12.20.4	S S FLOOR STANDING ENCL. IP65	1200×2000×400	2	172	1	61610	62170
FSE2D 12.18.6	S S FLOOR STANDING ENCL. IP65	1200×1800×600	2	172	1	61620	62180
FSE2D 12.20.6	S S FLOOR STANDING ENCL. IP65	1200×2000×600	2	194	1	61630	62190

All doors are supplied with stiffener

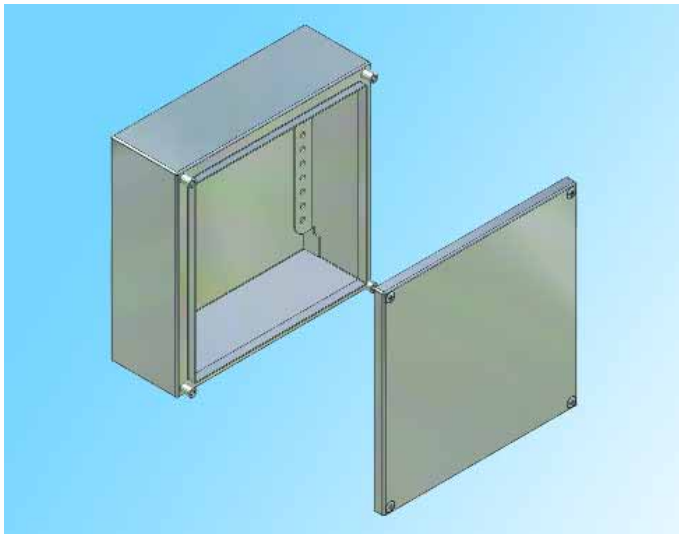
INSTRUCTIONS

MAIN DIMENSIONS
Stainless Steel Floor Standing
Enclosure IP65



TYPE	OVERALL SIZE			OPENING DEPTH			MOUNTING PLATE HOLE SIZE				WEIGHT kg	ORDER No.	ORDER No.
	A	B	C	a	b	c	W1	H1	W2	H2		AISI 304	AISI 316
FSE2D 8.18.4	800	1800	400	750	1750	355	748	1748	725	1725	122	61500	62050
FSE2D 8.20.4	800	2000	400	750	1950	355	748	1948	725	1925	134	61510	62060
FSE2D 8.18.6	800	1800	600	750	1750	555	748	1748	725	1725	134	61520	62070
FSE2D 8.20.6	800	2000	600	750	1950	555	748	1948	725	1925	146	61530	62080
FSE2D 10.18.4	1000	1800	400	950	1750	355	948	1748	925	1725	135	61550	62100
FSE2D 10.20.4	1000	2000	400	950	1950	355	948	1948	925	1925	147	61560	62110
FSE2D 10.18.6	1000	1800	600	950	1750	555	948	1748	925	1725	147	61570	62120
FSE2D 10.20.6	1000	2000	600	950	1950	555	948	1948	925	1925	159	61580	62130
FSE2D 12.18.4	1200	1800	400	1150	1750	355	1148	1748	1125	1725	160	61600	62160
FSE2D 12.20.4	1200	2000	400	1150	1950	355	1148	1948	1125	1925	172	61610	62170
FSE2D 12.18.6	1200	1800	600	1150	1750	355	1148	1748	1125	1725	172	61620	62180
FSE2D 12.20.6	1200	2000	600	1150	1950	355	1148	1948	1125	1925	194	61630	62190

ORDER INFORMATION

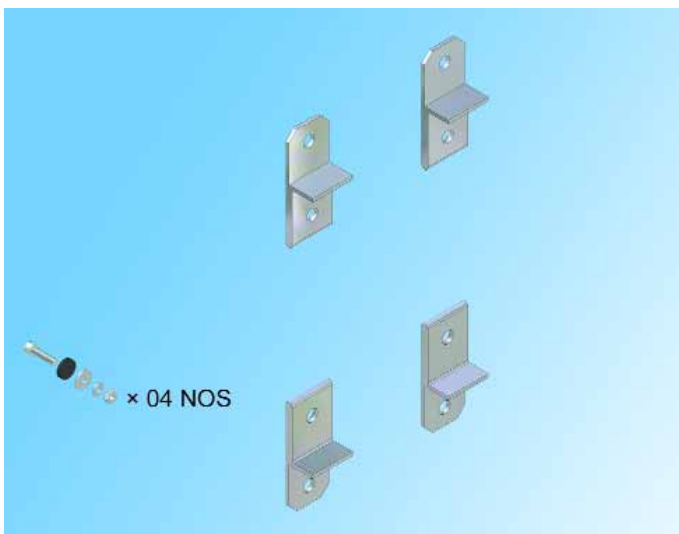


**STAINLESS STEEL
TERMINAL BOX IP66**

EDELSTAHL BOX IP66

RUSTFRI STÅL BOX IP66

TYPE	DESCRIPTION	SIZE (W×H×D)	WEIGHT kg	QTY	ORDER No. AISI 304	ORDER No. AISI 316
STNB 1.5.1,5-80	TERMINAL BOX	150×150×80	1.71	1	71700	71850
STNB 3.1,5-80	TERMINAL BOX	300×150×80	2.63	1	71710	71860
STNB 2.2-80	TERMINAL BOX	200×200×80	2.43	1	71720	71870
STNB 3.2-80	TERMINAL BOX	300×200×80	3.17	1	71730	71880
STNB 1.5.1,5-120	TERMINAL BOX	150×150×120	2.44	1	71740	71890
STNB 1.75.1,75-120	TERMINAL BOX	175×175×120	2.00	1	71750	71900
STNB 3.1,5-120	TERMINAL BOX	300×150×120	3.52	1	71760	71910
STNB 2.2-120	TERMINAL BOX	200×200×120	3.26	1	71770	71920
STNB 3.2-120	TERMINAL BOX	300×200×120	4.11	1	71780	71930
STNB 4.2-120	TERMINAL BOX	400×200×120	4.96	1	71790	71940
STNB 3.3-120	TERMINAL BOX	300×300×120	5.26	1	71800	71950



**STAINLESS STEEL
WALL MOUNTING
BRACKET**

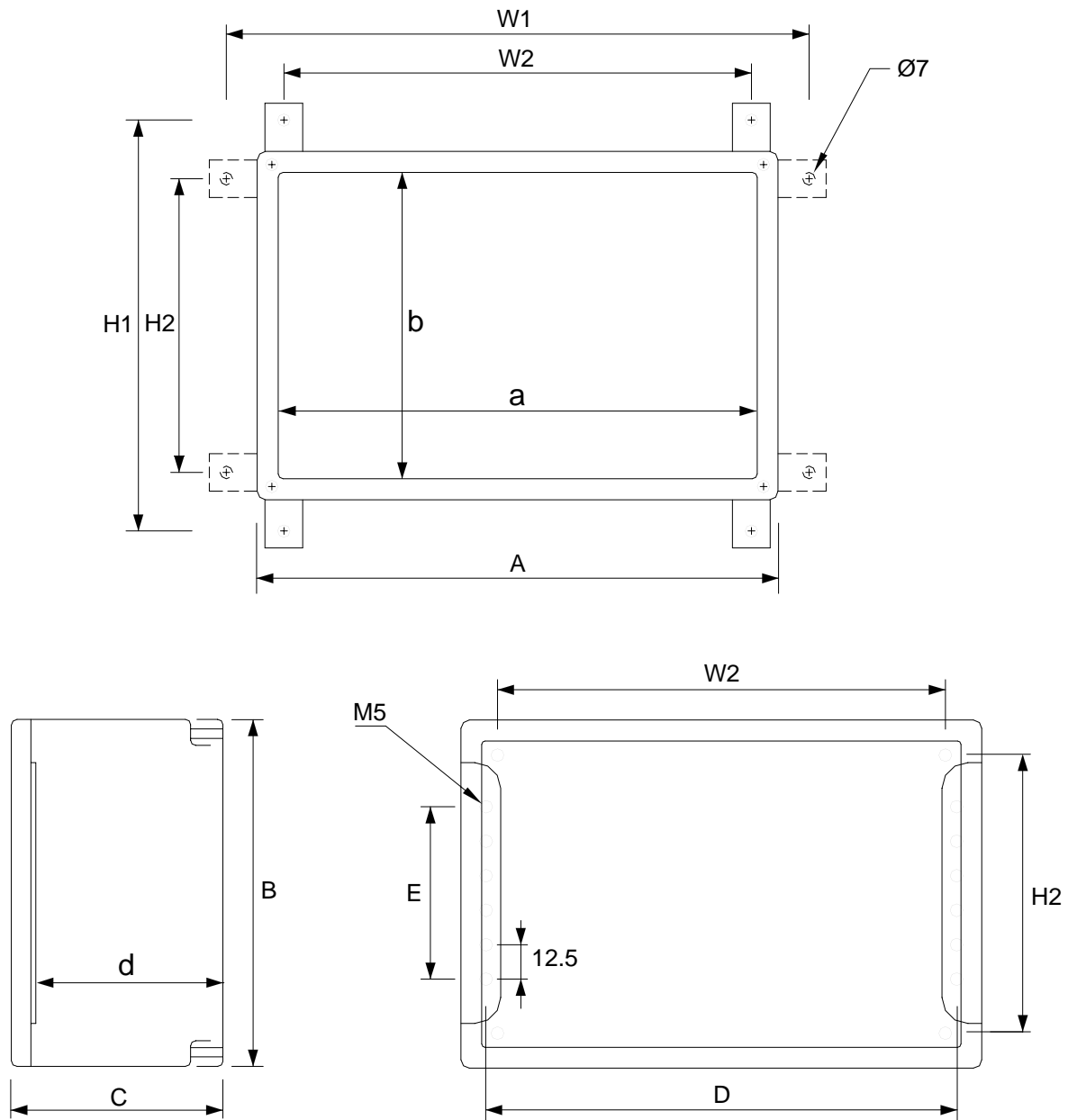
WANDBESCHLÄGE

VÆGBESLAG

TYPE	DESCRIPTION	QTY	ORDER No. AISI 304	ORDER No. AISI 316
STWB	STAINLESS STEEL WALL MOUNTING BRACKETS	1 SET	70350	70550

INSTRUCTIONS

MAIN DIMENSIONS



TYPE	OVERALL SIZE					OPENING DEPTH			MOUNTING HOLE POSITIONS				WEIGHT kg	ORDER No. AISI 304	ORDER No. AISI 316
	A	B	C	D	E	a	b	d	W1	W2	H1	H2			
STNB 1.5.1,5-80	150	150	80	125	75	125	125	67	190	110	190	110	1.71	71700	71850
STNB 3.1,5-80	300	150	80	275	75	275	125	67	340	260	190	110	2.63	71710	71860
STNB 2.2-80	200	200	80	175	125	175	175	67	240	160	240	160	2.43	71720	71870
STNB 3.2-80	300	200	80	275	125	275	175	67	340	260	240	160	3.17	71730	71880
STNB 1.5.1,5-120	150	150	120	125	75	125	125	107	190	110	190	110	2.44	71740	71890
STNB 1,75.1,75-120	175	175	120	150	100	150	150	107	215	135	215	135	2.00	71750	71900
STNB 3.1,5-120	300	150	120	275	75	275	125	107	340	260	190	110	3.52	71760	71910
STNB 2.2-120	200	200	120	175	125	175	175	107	240	160	240	160	3.26	71770	71920
STNB 3.2-120	300	200	120	275	125	275	175	107	340	260	240	160	4.11	71780	71930
STNB 4.2-120	400	200	120	375	125	375	175	107	440	360	240	160	4.96	71790	71940
STNB 3.3-120	300	300	120	275	225	275	275	107	340	260	340	260	5.26	71800	71950